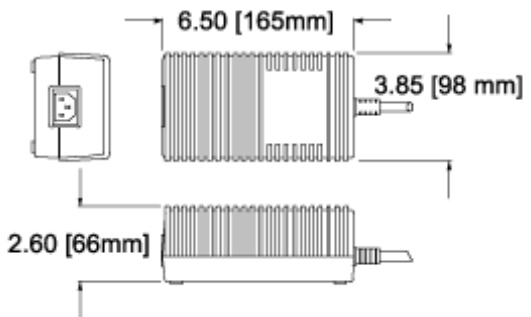


FW100 Series

96 Watt AC Adapter



Features

- Wide range AC input
- Fully enclosed plastic case
- Fully regulated output
- High efficiency
- Warranty: 5 years

Environmental

- Operating temperature..... 0°C to 40°C
- Storage temperature..... -55°C to 85°C
- Weight: 2.5 lbs.

EMI

Meets FCC class B, CISPR 22 class B

Safety

- CSA Certified to CSA 950
- NRTL/C : UL 1950, CSA 950
- CE-Marked

Electrical specifications

Input

- Voltage..... 100-240VAC
- Current..... 3.0 Amp @ 100VAC
- Frequency..... 47 - 63 Hz
- AC Cord..... Optional
- Input connector..... 3 Pin IEC 320 input receptacle

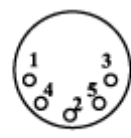
Output

- Line regulation TYP +/- 1%
- Load regulation..... TYP +/- 5%
- Set point +/- 3% at 60% load
- Hold up time..... 20ms minimum at full load 115VAC
- Over voltage protection..... Built-in
- Over current protection..... Built-in
- Short circuit protection Pulsing Mode, auto recovery
- Efficiency 80% minimum at full load and 115 VAC
- Transient response..... 2ms for 50% load change typical
- Ripple/noise (V_{r,p}) +/- 1% (20 MHz bandwidth)
- Output connector 5 pin DIN

Output Electrical Specifications

Model No.	Voltage	Power	Current
FW10012-D5	12V	96W	8.0A
FW10024-D5	24V	96W	4.0A

Polarity	1	2	3	4	5
	Com	Com	+V	Com	+V



Click Drawing to Enlarge